

BELL+HOWELL

WP20 Splash³



WP20 SPLASH3 USER'S MANUAL

Content

1. Parts of the Camera	4
2. Preparing for Use.....	5
Installing the Battery.....	5
Charging the Battery	6
Inserting the Memory Card.....	7
Formatting the Memory Card	8
Setting the Language	8
Setting the Date and Time.....	9
3. Using the Digital Camera.....	10
Powering the Digital camera On and Off.....	10
Change the Recording Mode	10
Shooting Still Images.....	11
Using the Self-timer.....	12
Using the Flash	12
Recording a Video Clip	13
Recording Audio.....	14
4. Playback.....	14
Playback Still Image	14
Playback Movie Clips	15
Playback Audio Files	15

5. Making connections.....	16
Connecting the Digital camera to a PC	16
6. Software Installation	17
7. Technical Specifications	20

Thank you for purchasing this digital camera. Please read these operating instructions carefully in order to use the digital camera correctly. Keep the instructions in a safe place after reading so that you can refer to them later.

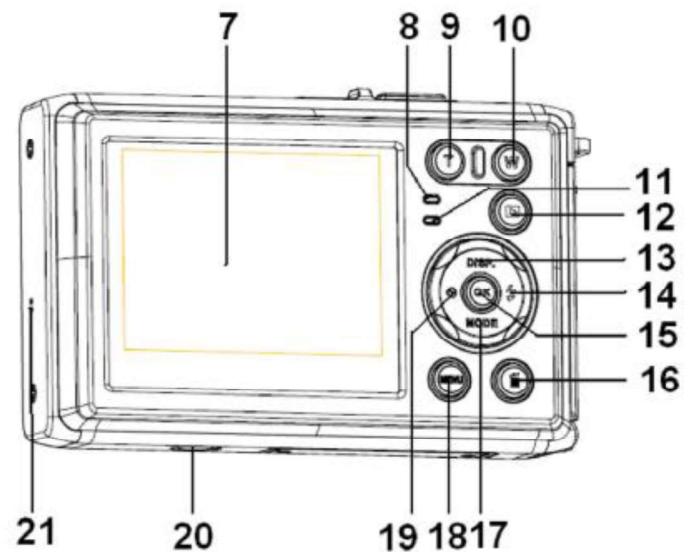
Precautions

Before using the digital camera, please ensure that you read and understand the safety precautions described below.

- Do not try to open the case of the digital camera or attempt to modify this digital camera in any way. Maintenance and repairs should be carried out only by authorized service providers.
- Use only the recommended power accessories. Use of power sources not expressly recommended for this equipment may lead to overheating, distortion of the equipment, fire, electrical shock or other hazards.

1. Parts of the Camera

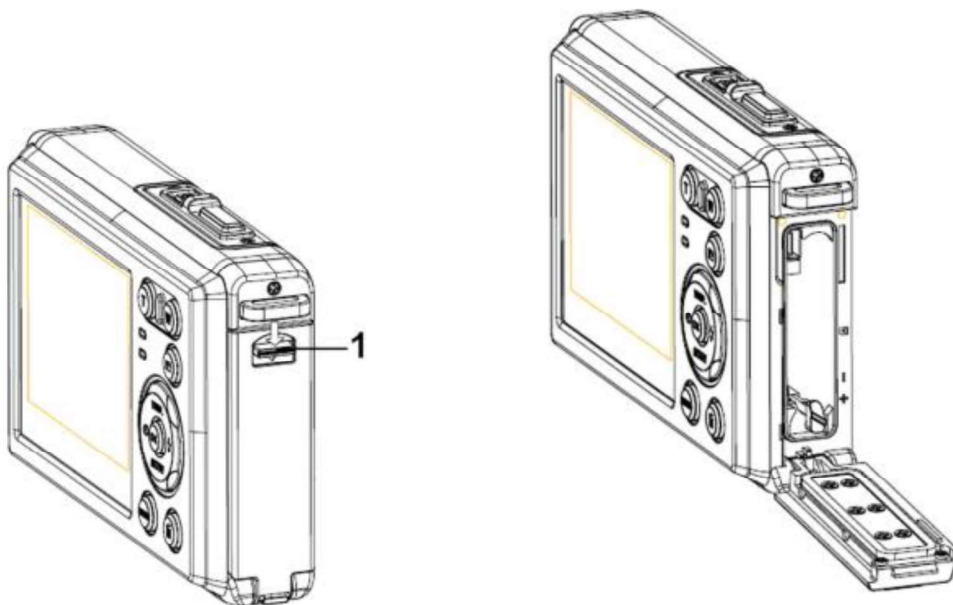
- 1: Strap hook
- 2: Battery cover
- 3: Shutter button
- 4: Power button
- 5: Lens
- 6: Flash strobe
- 7: LCD screen
- 8: Busy /Power indicator LED
- 9: T/Zoom in button
- 10: W/Zoom out button
- 11: Charger indicator LED
- 12: Playback button
- 13: Up/Display button
- 14: Right/Flash button
- 15: OK button
- 16: Delete button
- 17: Down/Mode button
- 18: Menu button
- 19: Left/Self-timer button
- 20: Tripod Socket
- 21: Microphone



2. Preparing for Use

Installing the Battery

1: Push the lock button (1) down to open the battery cover.




2: Insert the battery with the positive (+) and negative (-) terminals matching the direction indicated inside the battery compartment.



3: After the battery is properly installed, replace the battery cover until an audible click is heard.

Charging the Battery

Please charge the battery when the indicator shows the  icon.

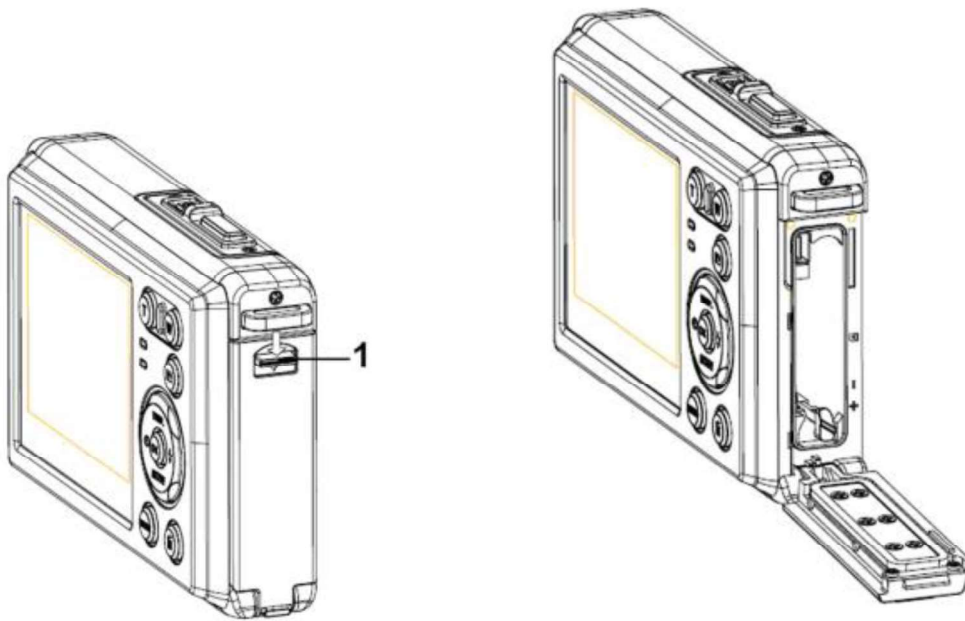
- 1: Power OFF; connect the AC-adapter to the camera USB-port.
- 2: Plug the AC-adapter to the electrical outlet.
- 3: Charging begins when charge indicator LED illuminates red. The charge indicator light turns OFF when charging is completed.

4: Disconnect the camera.

Inserting the Memory Card

1: Power off the digital camera.

2: Push the lock button (1) down to open the battery cover to reveal the memory card slot.



3: Insert the memory card into the card slot with the label against the LCD screen. Confirm the correct direction before inserting the memory card.

- **To release the memory card, open the battery cover and then press the edge of the card gently. The card will pop out.**

Formatting the Memory Card

It is important to format the memory card when it is the first time you use your digital camera. All data will be deleted including protected files on the inserted memory card. Be sure to download important files to your computer before formatting.

- 1: Turn the power on, and set the camera to the Setup Menu.
- 2: Press the **Up/Display** or **Down/Mode** button to select **[Format]** then press the **OK** button to launch the submenu.
- 3: Press the **Up/Display** or **Down/Mode** button to select the item **[OK]** and then press the **OK** button to launch the format submenu.
- 4: Press the **Up/Display** or **Down/Mode** button to select the item **[Yes]** and then press the **OK** button to erase all data.

Setting the Language

When using your digital camera for the first time, be sure to choose a language and set the date & time before use..

- 1: Turn the power on, and set the digital camera to the Setup Menu.
- 2: Press the **Up/Display** or **Down/Mode** button to select **[Language]** then

press the **OK** button to launch the submenu.

3: Press the **Up/Display** or **Down/Mode** button to select the desired language and then press the **OK** button to confirm the setting.

Setting the Date and Time

1: Turn the power on, press the **MENU** button to display the menu.

2: Press the **Left** or **Right** button to select [Capture Setting] Menu.

3: Press the **Up** or **Down** button to select [**Date**] then press the **OK** button to launch the submenu.

4: Press the **Up** or **Down** button to select [**Set Date**] then press the **OK** button to launch the dialog box.

5: Press the **Up** or **Down** button to change the highlighted value. Press the **Left** or **Right** button to move the cursor between settings.

6: Press the **OK** button to confirm the settings.

Note: The date and time can be only added to still images by setting the function [Date] in the Capture Setting menu.

3. Using this Digital Camera

Powering the Digital Camera On and Off





1. Press the **POWER** button to power the camera on and press it again to power the digital camera off.

To save battery power, you can change the power-off time by setting the function [Auto Power Off] in the Setup menu.


Change the Recording Mode

There are three modes for selection.


- 1: Press the **POWER** button to power the digital camera on.
- 2: Press the **Down/Mode** button to change the mode. Each time the **Down/Mode** button is pressed the mode icon is changed.

Display	Title	Description
	Capture mode	For taking still photos.
	Video mode	For recording movie clips.
	Audio mode	For recording audio files.
	Playback mode	For previewing record files.

Note:

You can only switch the digital camera to playback mode by using the PLAYBACK button. Press the PLAYBACK button to set the camera to playback mode  and press it again to set it record mode.

Shooting Still Images

1: Power on the digital camera and set the digital camera to default capture mode, the icon  appears on the LCD screen.

2: Zooming:

Press the **T** or **W** button to zoom in or zoom out the view. The value of magnification level appears on the LCD monitor.

3: Hold the digital camera steady and then press the SHUTTER button completely down to take a picture.

4: Press the **MENU** button to display the menu, including Scene, Image Size, Anti-Shake, Face Detect, Smile Capture, Shooting, Capture Setting, Image Setting, Setup.

Using the Self-timer

Use the self-timer to set a delay from the time the shutter button is pressed to the time the image is taken.

- 1: Turn the power on, and set the digital camera to the Capture mode.
- 2: Press the **LEFT/SELF-TIMER** button to change the self-timer mode.

Each time the **LEFT/SELF-TIMER** button is pressed the self-timer icon changes.



Off: Don't use self-timer.



2 Seconds: The shutter release will delay for 2 seconds.



5 Seconds: The shutter release will delay for 5 seconds.



10 Seconds: The shutter release will delay for 10 seconds.




- 3: Press the **SHUTTER** button to take a picture.
- 4: After Self-timer begins, the self-timer LED will flash until count down is completed.

Using the Flash

The flash is not only for taking pictures when there is insufficient light, but also for when the subject is in shade or with back light conditions. Pressing the **RIGHT/FLASH** button cycles your camera through the various flash

modes. The flash will not activate during continuous shooting or movie recording.

- 1: Set the digital camera to the Capture mode.
- 2: Press the **RIGHT/FLASH** button to change the flash mode. Each time the flash button is pressed, the flash icon changes.


	Auto: Automatically turn on/of
	Flash on: Force on the flash
	Flash off: Force off the flash

- 3: Press the **SHUTTER** button to take a picture.

Note:


When the battery power is low, the flash strobe will not function.

Recording a Video Clip

- 1: Power on the digital camera and press the **DOWN/MODE** button to set the camera to video record  mode.
- 2: Zooming: Press the **T** or **W** button to zoom in or zoom out the screen. The value of magnification level appears on the LCD monitor.
- 3: Press the **SHUTTER** button to start recording.

- 4: Press the **SHUTTER** again to end the recording. If the memory is full the video camera will stop recording automatically.
- 5: Press the **MENU** button to display the menu, including Size, Image Setting.
 - On the upper of the LCD monitor displays the recorded time.
 - Do not remove the card when video recording. Doing so may corrupt your video and picture files.

Recording Audio

- 1: Turn on the camcorder and set the camera to audio record mode ().
- 2: Press the **SHUTTER** button to start recording.
- 3: Press the **SHUTTER** button again to end the recording. If the memory is full, the camera will stop recording automatically.

4. Playback

Playback still image

- 1: Press the **PLAYBACK** button to playback mode.

The latest recorded file appears on the LCD screen. If there are no images stored, a message [No File Exist] appears.
- 2: Press the **LEFT** or **RIGHT** buttons to preview the previous or next image.

- 3: Press the **UP** button to play slide show.
- 4: Zooming: Press the **T** or **W** button to zoom in or zoom out the image. When the picture is enlarged press the **UP, DOWN, LEFT, RIGHT** button to browse the details of the image.
- 5: Press the **OK** button to resume the normal mode.

Playback Movie Clips

- 1: Set the digital camera to playback mode.
- 2: Press the **LEFT** or **RIGHT** buttons to select the movie clips you want to playback.
- 3: Press the **SHUTTER** button to start playing and press it again to pause. Press the **UP** button to end playback.

Playback Audio Files

- 1: Press the **PLAYBACK** button to set the digital camera to playback mode.
- 2: Press the **LEFT** or **RIGHT** buttons to select the audio file you want to Playback.
- 3: Press the **SHUTTER** button to start playing. Press the **OK** button to pause and press it again to continue. Press the **SHUTTER** button again to end playback.

Viewing Thumbnails (Summary of Media on Memory Card)

Press the **W** button in playback mode to view the file in thumbnails mode. Use the **LEFT/RIGHT/ UP/DOWN** buttons to select a file. Press the **OK** button to view the file in full screen.

5. Making Connections

Connecting the Digital Camera to a PC

There are two ways to download files from the digital camera's internal memory or memory card to a computer:

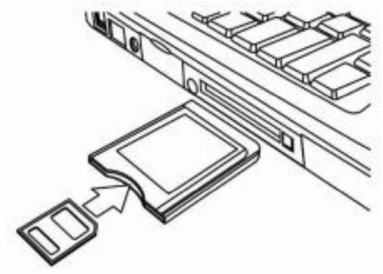
- By inserting the memory card into a card reader (not included)
- By connecting the camera to a computer using the supplied USB cable.

Using a Card Reader (not included)

1: Eject the memory card from the digital camera and insert it into a card reader that is connected to a computer.

2: Open [My Computer] or [Windows Explorer] and double-click the Removable Disk icon that represents the memory card.

3: Copy images from the card into a directory of your choice on the computer's hard disk.



Connecting the Digital camera to a PC with the USB Cable

- 1: Connect the supplied USB cable to the computer's USB port and turn on the digital camera. "MSDC" appears on the camera's screen when connection to the computer has been successfully completed.
- 2: Open [My Computer] or [Windows Explorer]. A "Removable Disk" appears in the drive list. Double-click the "Removable Disk" icon to view its contents. Files stored on the camera are located in the folder named "DCIM".
- 3: Copy the photos or files to your computer.

Note: To enter PC CAM mode, hold and press the shutter button for a few seconds, then connect the digital camera to the computer with the supplied USB cable. "PC CAM" will appear on the camera's screen. If not, please continue to press the shutter button and press the power button until "PC CAM" appears on the camera's screen.

6. Software Installation

Installing the Software

Insert the accessory CD into your CD-ROM drive. The computer will pop up

the installation menu as below.



- Install Driver
- Install MAGIX Video easy SE- Install software for editing video clips.
- Install MAGIX Photo Manager 10 - Install software for editing pictures.

Click the items in the Autorun menu to install the software.

If the Autorun menu does not appear automatically, open the CD-ROM in [My Computer] or [Windows Explorer] and then double-click the file named [start.exe] to start the program. You can also click [Run] in the Windows

Startup menu, enter "D:\start.exe" (where D is your CD-ROM drive letter) in the text box, and click [OK].

Notes:

1. Open MAGIX Video easy SE or MAGIX Photo Manager 10, you have to register the software at first, then use program without any time limit.
2. Do not forget to install the Quick Time Player during installing the MAGIX Video easy SE.
3. MAGIX Video easy SE and MAGIX Photo Manager 10 only support Windows XP and Windows Vista, Windows 7.

System requirements for Magix Video Easy SE:

- ▶ Intel® Pentium 4 or AMD® Athlon® 1 GHz and higher
- ▶ 512 MB RAM
- ▶ 400 MB free hard disk memory and a DVD drive for program installation
- ▶ Supported devices: Video, TV, or graphics cards with video input.

Magix Photo Manager 10:

System Requirements (minimum configuration)

- ▶ Microsoft® Windows® XP | Vista® | 7. PC with Intel® Pentium® or AMD® Athlon® 700 MHz or higher
- ▶ 256 MB RAM, 120 MB hard disk space for program files
- ▶ SVGA graphics card with min. 4 MB RAM, (min. resolution 1024 x 600)

7. Technical Specifications

Sensor	8.0 Mega Pixels CMOS
Display	2.5" TFT Color LCD
Aperture	F/2.8, f=5.3mm
Shutter	Shutter: 1/2~1/1800sec.
Resolution	Still Image Modes: [20M]/[16M]/[12M]/[10M]/[8M]/[5M]/[3M]/[1.2M] /[VGA] Video Modes: [1920x1080@15fps]/ [1280x720@30fps]/ [720x480@30fps]/ [640x480@30fps]/ [320x240@30fps]
Auto Power Off	[Off]/[1Minute]/[2 Minutes]/[3 Minutes]/ [4 Minutes]/[5 Minutes]/[10 Minutes]
Sensitivity	ISO Auto/100/200/400
White balance	Auto/Daylight/Cloudy/Incandescent/Fluoresce
Scene	[Auto]/[Night Portrait]/[Night Scenery]/[Portrait]/ [Scenery][Sport]/[Party]/[Beach]/[High Sensitivity]/ [Underwater]

Exposure control	-3EV to +3EV in 1step
Continue shot	Yes
Self-timer	2 / 5 / 10 sec.
Storage	SD / SDHC up to 32GB, Class 10
Power Supply	3.7v 800mAh BL-5B Lithium Ion Battery
Ambient temperature	Operating: 0° C to 40° C Storage: -20 to 60° C
Dimension	100.0x59.8x18.4 (mm)
Weight	Camera Body w/o battery: Approx. 75g

If you're having difficulties with your camera, or would like further assistance, please call our toll-free technical support hotline at 800-441-1100. Please be sure to have your camera handy when calling.





© 2017 Elite Brands Inc., NEW YORK, NY 10005

DISTRIBUTED UNDER LICENSE OF BHH LLC BY ELITE BRANDS INC.

All other brands or product names are trademarks or registered trademarks of their respective companies.